

# STREET LIGHT DATA SHEET

## J-ST01



**IP65**

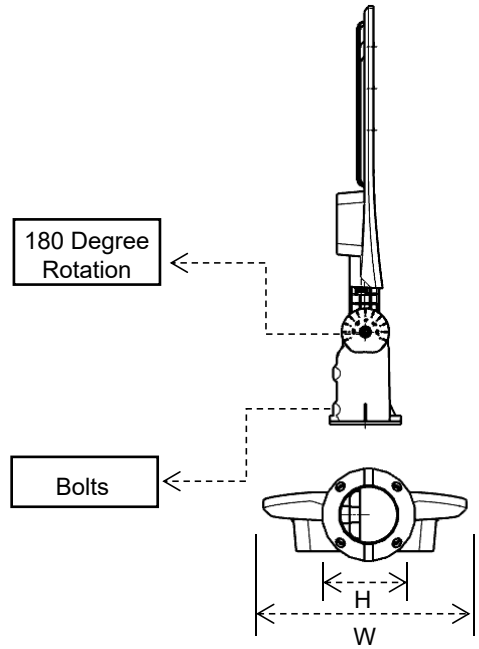
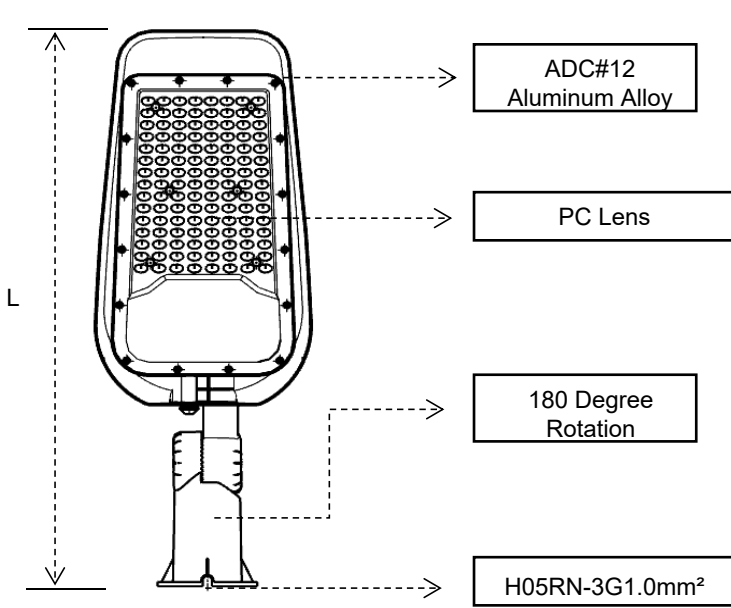


**JAY&MIN ENERGY**

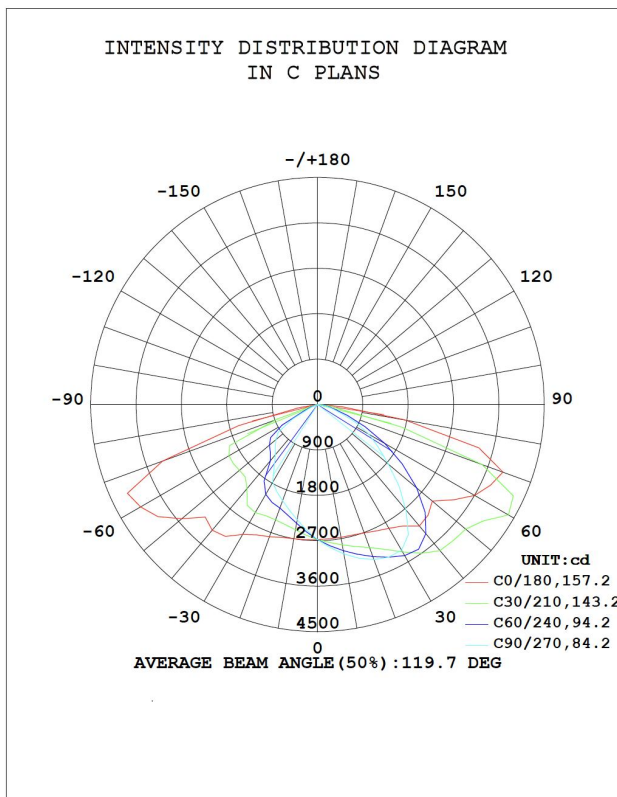
### MAIN SPECIFICATION

Item No.	JM-ST01-50W	JM-ST01-60W	JM-ST01-100W
Wattage	50W	60W	100W
Lumen	5500 lm	6600 lm	11000 lm
Voltage	AC 120-240V 50/60Hz (with independent driver) AC 220-240V, 50/60Hz (with linear drive)		
ULR	<3%		
Power Factor	> 0.9		
Lamp type	SMD 2835		
CRI	> 80		
Material	ADC#12 Aluminum Alloy		
Beam angle	90x150°		
Color Temp	3000K/4000K/6000K		
Work Temp	-20°-+50°		
Protection	IP65		
Housing color	Grey		
Products size	180*98*490 mm	180*98*490 mm	215*98*562 mm
Box Size	185*100*505 mm	185*100*505 mm	220*100*575 mm
Carton Size	520*515*390 mm	520*515*390 mm	585*520*460 mm

**\* SOURCE CAN BE REPLACED**



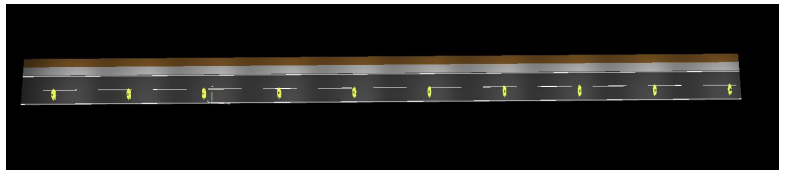
## ADVANTAGE



\* ULR < 3%

\* High luminous efficiency,  
lower energy waste

## Road simulation effect



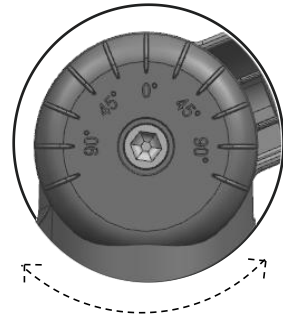
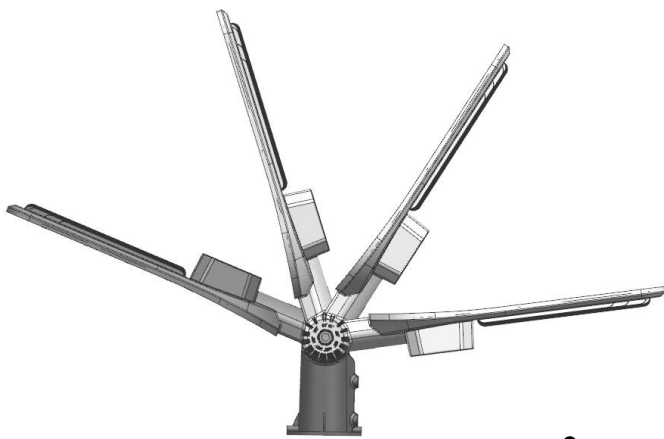
General road (including the following road configurations)

Installation height 10 meters, street light spacing 20 meters, unilateral installation of lights.

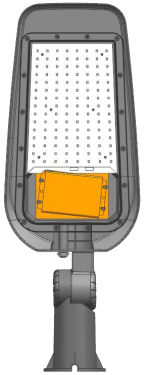
Single lane  
footpath

Motorway

Lighting effect no dark areas



180° flexible rotation 0°



Independent driver:

Option 1:

30000 hours lifetime, 3 years guarantee

Option 2:

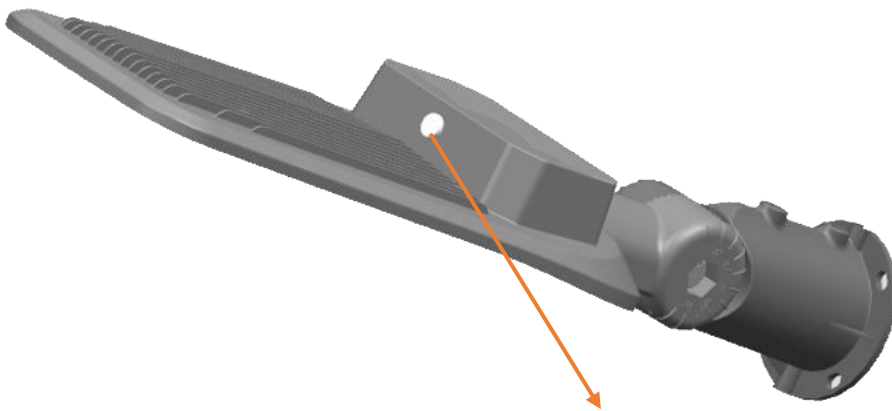
50000 hours lifetime, 5 years guarantee



Option 3:

25000 hours lifetime, 2 years guarantee

## Functional application



photocell

The white part of the product is the light-controlled sensor  
When the ambient illumination is less than 20lux (for example, the illumination can be modified)

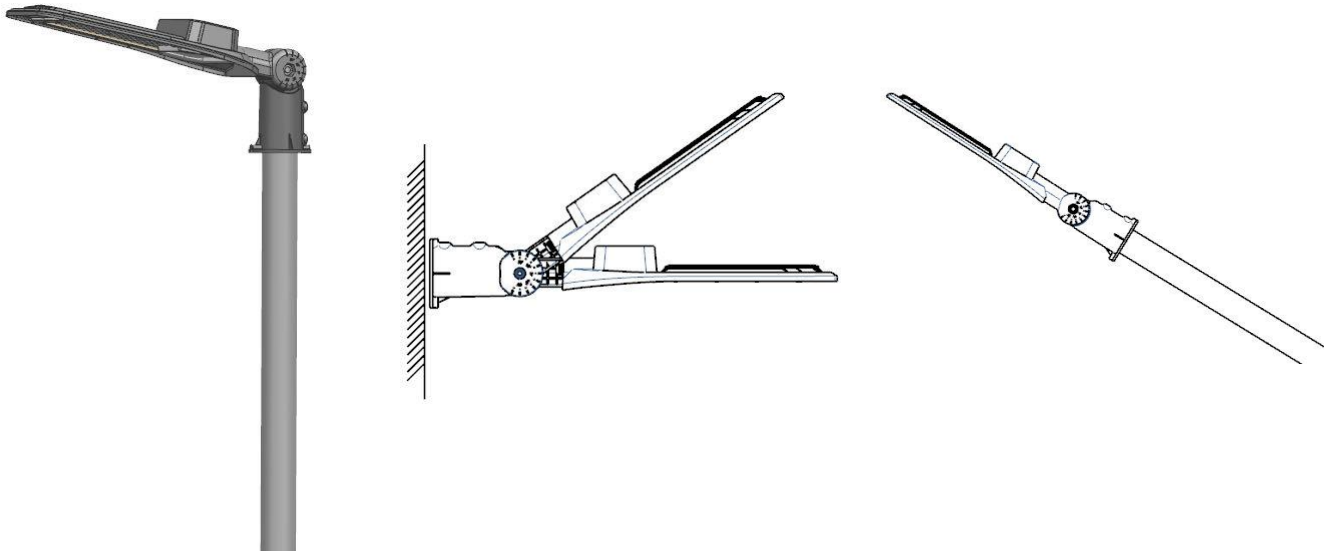
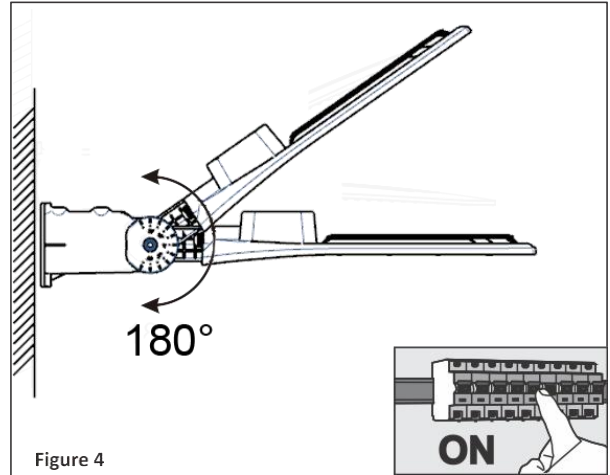
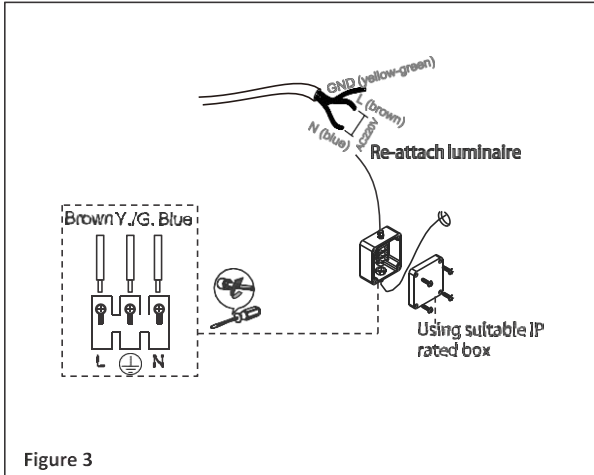
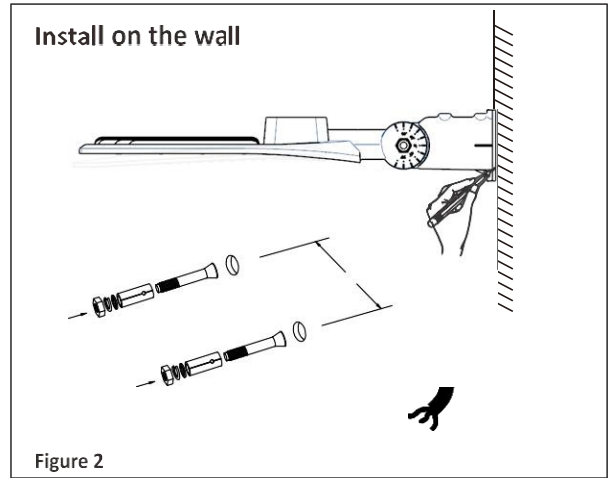
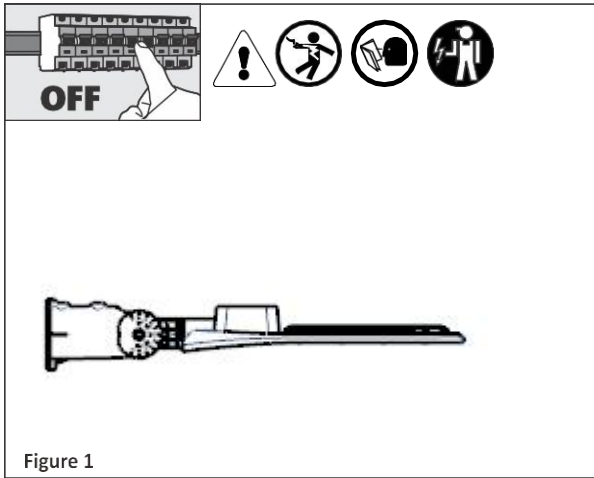
The luminaire lights up automatically

Ambient illumination higher than 50lux

The lamp automatically turns off the light

**Lower maintenance costs, more energy efficient**

# INSTALLATION



This product should be disposed of responsibly at the end of its life. Please recycle where facilities exist. Check with your Local Authority or retailer for recycling advice.  
(Waste Electrical and Electronic Equipment Directive)